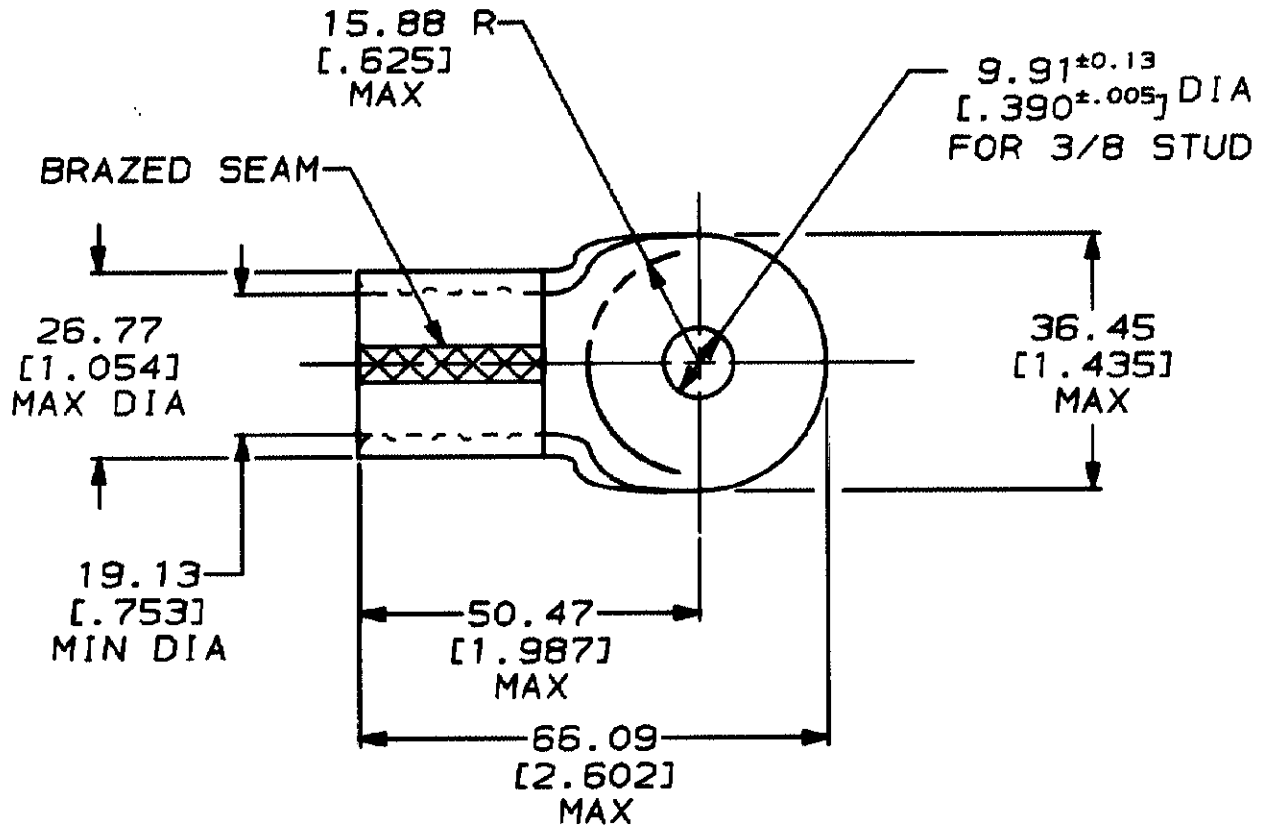


THIS DRAWING IS A CONTROLLED DOCUMENT FOR AMP INCORPORATED.  
 IT IS SUBJECT TO CHANGE AND THE CONTROLLING ENGINEERING  
 ORGANIZATION SHOULD BE CONTACTED FOR THE LATEST REVISION.

DRAWING MADE IN THIRD ANGLE PROJECTION

LOC	DIST	P	F	LTR	DESCRIPTION	DATE	APPROVED
G	14			D	REVISED & REDRAWN PER G-5803	6/9/92	DKS / AJK

THIS DRAWING IS UNPUBLISHED. RELEASED FOR PUBLICATION BY AMP INCORPORATED. ALL INTERNATIONAL RIGHTS RESERVED. © COPYRIGHT 19



322252
PART NO

DO NOT SCALE PRINT.  
 UNLESS SPECIFIED  
 DIMENSIONS IN mm (IN)  
 TOLERANCES ON:  
 2 PLC DEC ± 0.20(.008)  
 3 PLC DEC ± -  
 ANGLES ± -

MATERIAL  
 COPPER ASTM B-152  
 ANNEALED

FINISH  
 TIN PLATE  
 0.00254(.000100) MIN  
 THK PER MIL-T-10727

DR 8/8/92  
 DK SCHUM

CHK 8/26/92  
 RD NEIH

APPD 6/26/92  
 AJ KAUFMAN

APPD 6/26/92  
 CR RHODS

PRODUCT SPEC  
 -

APPLICATION SPEC  
 -

WEIGHT -

**AMP** AMP Incorporated  
 Harrisburg, PA 17105-3608

NAME  
 TERMINAL, RING TONGUE, SOLISTRAND™  
 WIRE SIZE: 127.0-152.0mm<sup>2</sup> [250-300] MCM

SIZE <b>A</b>	CAGE CODE 00779	DRAWING NO <b>C-322252</b>
SCALE 1:1	SHEET 1 OF 1	